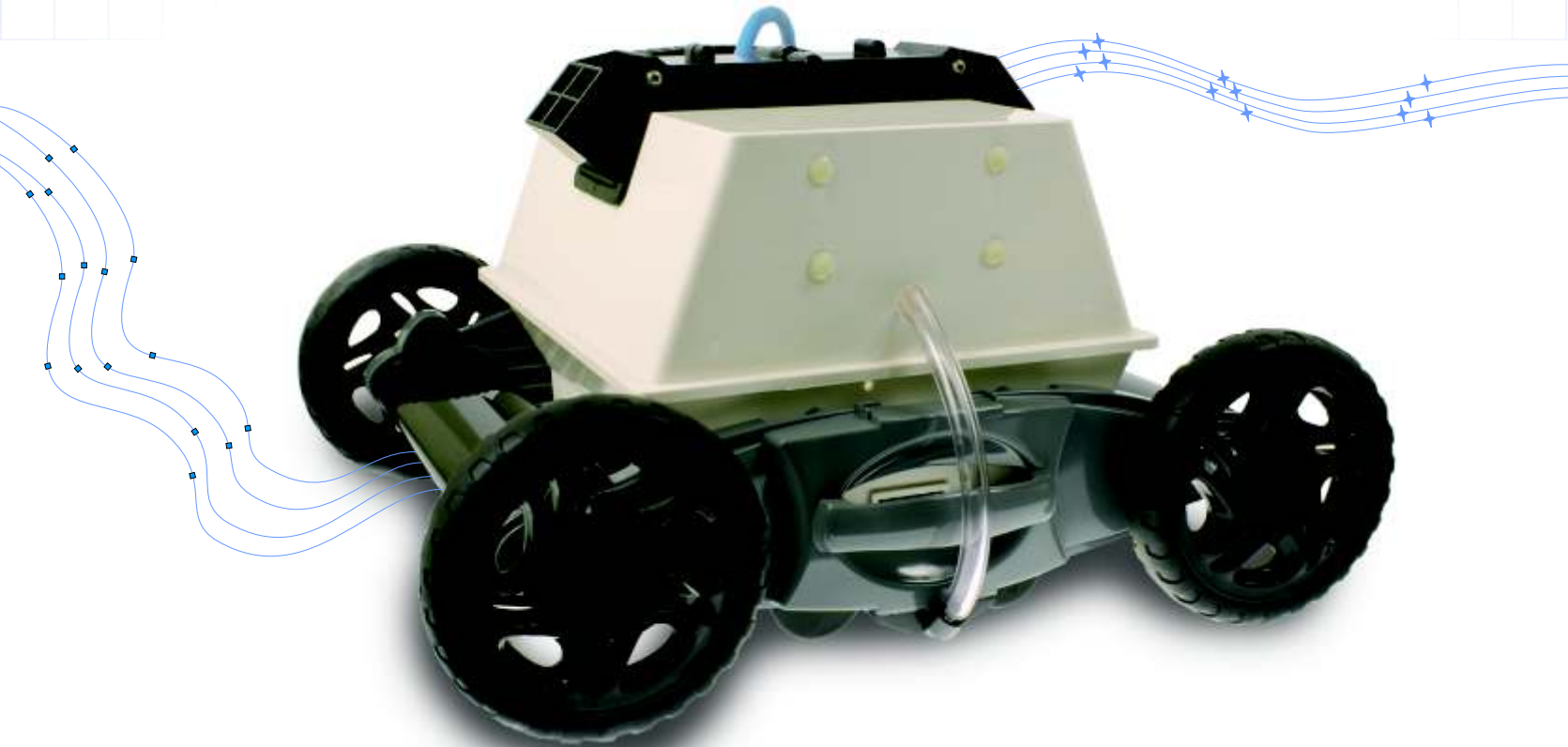


Operator Manual For:

# JET Cleaners



**Please Read The Entire Manual Carefully Before  
Using Your Automatic Pool Cleaner**

## **Your New Cleaner Includes The Following:**

- Cleaning Unit & Cable
- Power Supply
- Fine Filter Bag
- Operator Manual
- Warranty Statement & Card
- Mesh Filter Bag

Dear Customer,

Congratulations! You have purchased one of the best pool cleaners that technology has to offer! Your new cleaner is a fully automatic, "robotic" in-ground pool cleaner with the most powerful water propulsion system available. Please read the following carefully so that you are fully aware of all the capabilities and features this pool cleaner has to offer.

**Important: Your own cleaner may be of a different shape or color than the units appearing in this operator manual. However, all operating functions are identical and therefore the following instructions should be followed.**

## How does your cleaner work?

The patented built in pump motor provides the suction power, the power washing jets and the jet propulsion of your cleaner. All dirt and debris is stirred up by the power washing jets (directed at the pool bottom underneath your cleaner) for easy pick up by the cleaner's suction power. All dirt from leaves to algae is collected in the internal filter bag for easy removal. A simple patented axle tilting system allows your cleaner to alternate between straight and curved movements, allowing the cleaner to clean the pool in most cases in less than one hour! All you have to do is place the cleaner in the pool, turn it on and periodically clean the filter bag.



# Your new cleaner consists of two main parts:

Please know that Power Supply appearance may vary and features may be located in different positions than what is shown below!

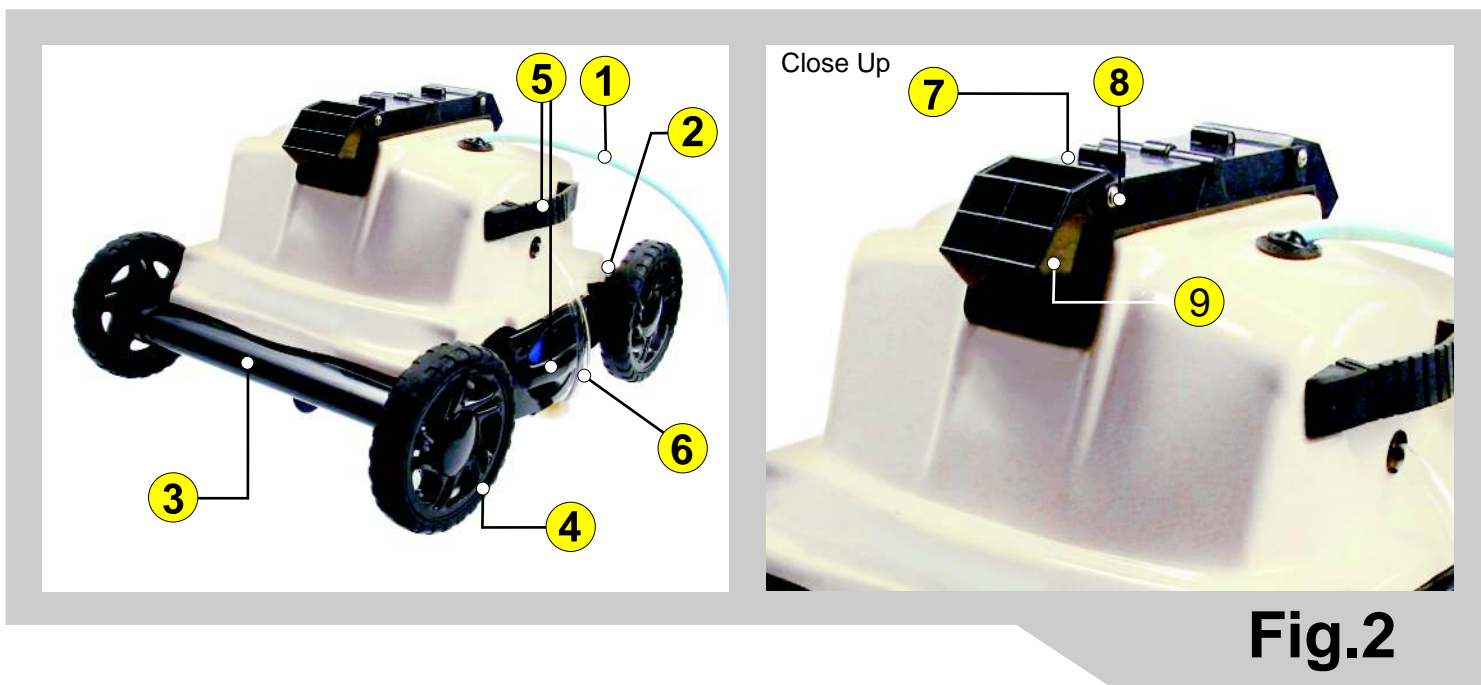
## Fig. 1 Power Supply (Transformer) with Two-Hour Automatic Shut-Off

- 1) Fuse Holder
- 2) Power Supply Cord
- 3) Power (ON/OFF) Switch
- 4) Forward/Reverse Timer Control Dial
- 5) Socket (For Floating Cable)
- 6) Reset Button

## Fig. 2 Pool Cleaner with Floating Cable

- 1) Floating Cable
- 2) Fixed Axle Housing
- 3) Turning Wheel Axle Housing
- 4) Wheel
- 5) Handle (Not Needed On Some Models)
- 6) Hydro Scrub Tube\*
- 7) Jet Valve Housing
- 8) Screw For Valve Extension
- 9) Valve Extension (Port)

\* Note: On some models the Hydro Scrub Tubes may be hidden within the cleaners body.



**WARNING- Remove Your Cleaner (and its cable) From The Pool While People Are Swimming!**

# OPERATING INSTRUCTIONS

## IMPORTANT

1. **Caution: Never power the pool cleaner "ON" if it is not fully immersed in water.**

2. **This pool cleaner system has an internal timer, which will automatically shut off the cleaner after 2 hours of operation. However, the Switch will remain in the "ON" position. To re-start the pool cleaner for another cycle, switch the Power Supply "OFF", and then switch it back to the "ON" position and press the Reset Button. Fig. 1**

## STEP 1

### SETTING UP THE POWER SUPPLY

1. Place the Power Supply in a dry, sheltered area at least 10 feet away from the pool. Since the Power Supply is water resistant, not water proof, it should not be left out in the rain or placed in puddles of water. **Fig. 1.1**

2. Plug the Power Supply Cord into a 115V, three prong grounded GFCI outlet. If an outlet is not close enough, a grounded 115V extension cord may be used to connect to the nearest outlet. (Remember to keep the Power Supply at least 10 feet away from the pool) **Fig. 1.2**

**WARNING: A ground fault current interrupter (GFCI-USA) must be in place to protect your electric outlet and prevent any possible electric shock!**

## STEP 2

### PLACING THE CLEANER IN THE POOL

1. Plug the cleaner's Floating Cable into the Power Supply. **Fig. 6** Be sure that the Power Supply ON/OFF Switch is in the OFF position.

2. Place the cleaner in the pool upside down, gently tilting it side to side to allow any trapped air to escape. Once the air is removed, turn the cleaner right side up and allow the cleaner to sink to the bottom of the pool with the wheels down. **Fig. 3**

NOTE: The cleaner must be completely submersed in the pool water before it is switched on. If the cleaner does not sink it is because air is still trapped inside. Repeat Step 2.

3. Uncoil the Floating Cable that extends from the cleaner's body and spread it over the pool water surface as evenly as possible. If your pool is elongated (rectangular, oval, etc.), place the Floating Cable at the middle of the pool's length to allow adequate cable length to reach the entire pool. Make sure that the Floating Cable is not tangled or kinked. **Fig. 4**

## STEP 3

### ADJUSTING THE TIMING CYCLE

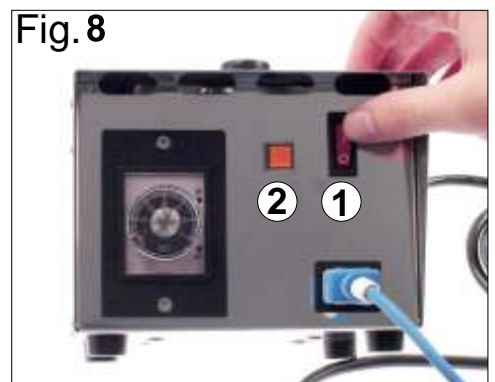
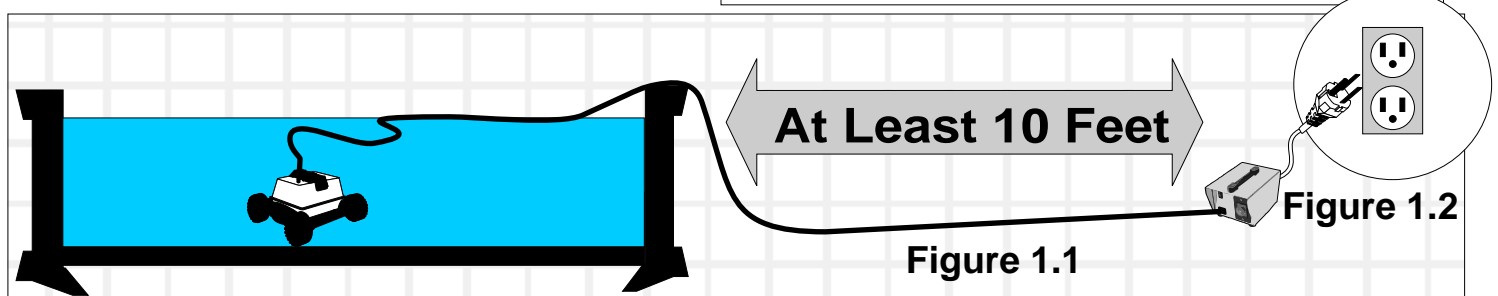
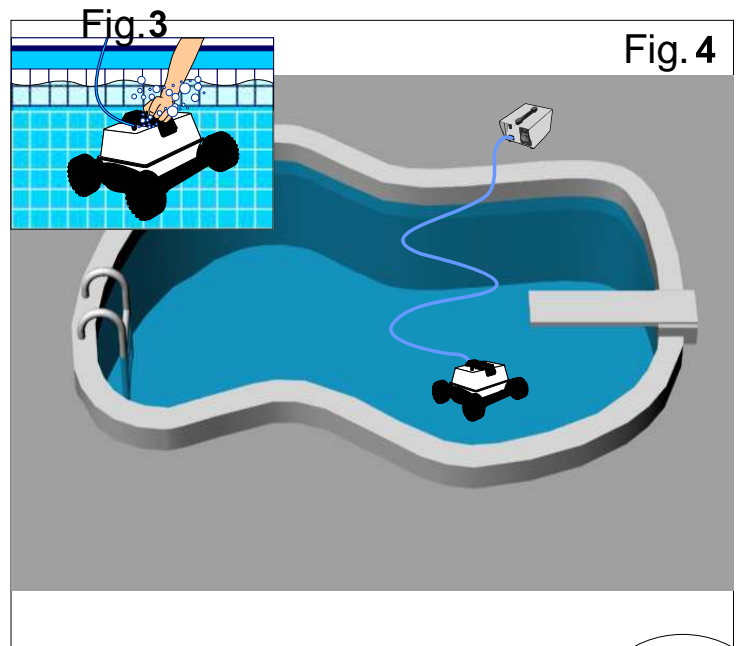
The Time Control Dial located on the front panel of the Power Supply can be adjusted to allow more or less time between the cleaner's forward and reverse motion. **Fig. 7**

Set your cleaner's Time Control Dial to 30 seconds. The goal is to have your cleaner move across your pool at its widest point, from one side to the other and wait at both sides for approximately 2 seconds before reversing. If this doesn't happen adjust the Time Control Dial accordingly.

NOTE: Turning the Time Control Dial clockwise will lengthen the time between reversals to a maximum time of 90 seconds. Conversely, turning the dial counter-clockwise will reduce the time between reversals. Once the Time Control is set to your satisfaction, it does not need to be changed unless you use a different type of Filter Bag or there is an excessive amount of debris in your pool. NOTE: The Optional Mesh Bag may cause the cleaner to cross your pool in less time and the Time Control should be adjusted accordingly.

## STEP 4

Turn Power Supply switch to the "ON" position **Fig. 8.1**, then press the Reset Button. **Fig. 8.2**



## CLEANING MOTION IN POOL

The size of your pool, and the amount of debris in it, will determine the length of time required to clean the pool. The time required may vary up to two hours.

If the cleaner typically reaches the waterline at each side as it is supposed to, but begins to slow down considerably, (constantly reverses direction before reaching the sides of the pool) or is unable to climb the walls of the pool, it is sending a signal that it is time to clean the Filter Bag.

## REMOVING CLEANER FROM THE POOL

After two hours, the cleaner has completed cleaning the pool and will automatically turn itself off. Turn off the Power Supply by pressing the ON/OFF switch to the OFF position. **Fig. 8**

Unplug the cleaner's Floating Cable from the Power Supply. **Fig. 6** Gently pull the cleaner toward you using the Floating Cable. When the cleaner is within reach, remove it from the water using the handle only. **Fig. 2.5**

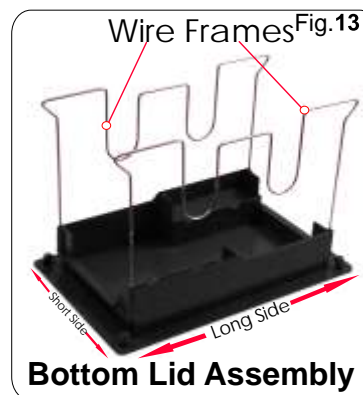
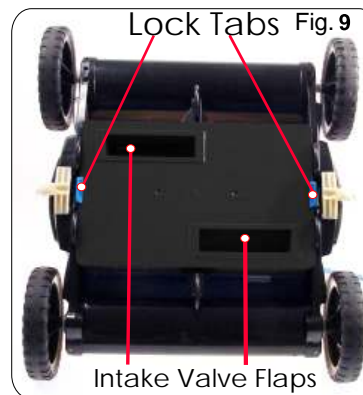
**Caution:** Removing the cleaner by its Floating Cable may cause severe damage to the cable requiring costly repairs. Rest the cleaner on its side to allow water to drain from its body.

NOTE: Rest cleaner on non-abrasive surface (i.e. Towel, doormat, etc.) to avoid scuffing and scratching your cleaner.

## CLEANING OR CHANGING THE FILTER BAG

NOTE: Make sure that the Power Supply is turned OFF and that the cleaner's Floating Cable is unplugged from the Power Supply.

- Place the cleaner on its back on a non-abrasive surface and release the two Lock Tabs (located on the sides of the unit). **Fig. 9** Using your thumbs, push the Lock Tabs away from the center of the cleaner to unlock the Bottom Lid Assembly. **Fig. 10** Remove the Bottom Lid Assembly. **Fig. 11**
- Remove the Filter Bag from the bag support Wire Frames. **Fig. 12**
- Turn the Filter Bag inside out (the Fine Filter Bag has a soft felt surface on the inside) and wash off visible dirt using high pressure with a garden hose, or a faucet. Gently agitate the Bag in your hands to help remove fine particles. Continue wringing, cleaning and squeezing the Bag gently until rinse water is clear. Use of a washing machine (cold water only) is recommended when visible dirt will not rinse off by other methods. **DO NOT USE DETERGENT or BLEACH! DO NOT MACHINE DRY!**
- Turn the Filter Bag "right side out" (felt surface on the inside) remount the Bag on the Wire Frames making sure that the Label on the Bag is centered on one of the long sides of the Bottom Lid Assembly (directly beneath one of the U's in the Wire Frames). Pull the Bag toward the middle of each Wire Frame so that the Bag corners are snug against the corners of the Wire Frame. Tuck the excess Bag into the U-shaped section of the Wire Frames. **Fig. 14**
- Re-install the Bottom Lid Assembly. Make sure that neither debris nor the Filter Bag itself interferes with complete closure of the Bottom Lid Assembly. A locking sound from each lock tab will be heard when locked properly!



## IN-SEASON STORAGE

Do not leave your cleaner in the pool when not in use. Doing so, will reduce the life of your Filter Bag and pool cleaner. After removing the cleaner from the pool you should clean and re-install the Filter Bag. Then, rest the cleaner on its side in a dry, shaded area along with its Power Supply and properly coiled Floating Cable.

## OFF-SEASON STORAGE

When the Pool Season is over you should thoroughly clean the Filter Bag. Make sure that there is no water in the cleaner. Completely untangle and then properly coil the Floating Cable. Your cleaner and Power Supply should be stored in a dry, protected area away from freezing temperatures.

# TROUBLESHOOTING

Should none of the troubleshooting procedures shown below correct your specific issue, please contact our customer service department toll free at 1-800-845-4856.

## Slower motion or inefficient vacuuming

- Check to see if the Filter Bag is thoroughly clean. **FYI:** The Fine Filter Bag is capable of filtering particles 20 times smaller than the naked eye can see. Therefore, thorough cleaning of the bag may be required! **NOTE:** Use the Fine Filter Bag to trap smaller debris such as algae, bacteria, sand and silt. Use the Mesh Filter Bag to trap larger debris such as leaves, acorns, twigs and pine needles. It may be necessary to rinse with high pressure water and wring the Filter Bag in a bucket of clean water. Rinse, wring, squeeze dry and repeat until the rinse water is clear.
- Check to see if the Intake Valve Flaps **Fig. 9** on the bottom of the cleaner are free to open and close. These Flaps should move easily to allow the entry of water and debris.
- If you are not satisfied yet, remove the bag, reinstall the Bottom Lid (without the Bag), and run it in the pool. If the cleaner moves quickly, this is an indication that your Bag is not clean enough, and you must repeat the cleaning instructions until the Bag is clean.

## Water flow from the hydroscrub jet tubes (Fig 2.6) have no pressure or water coming out from them

- Check clear vinyl tubing for obstructions, or blockages. Remove the Bottom Lid Assembly. Then remove the tubing from the pump housing by gently pulling the tubing from the pump. The tube is not glued in place. After the tube is removed, you can clear blockage by running water through the tube using the pressure from a garden hose. Be sure to replace the tubing securely.

## Does not cover the entire pool

- Adjust the timing cycle on the Power Supply so that the cleaner reaches the other side of the pool (preferably to waterline) and remains there for approximately 2 seconds before changing direction.
- Check to see if the Filter Bag is clean and not clogged with debris. (Especially fine dirt)
- Check to see if the wheel rotation and axle movement is free of obstructions like hair, string or accumulated debris.
- Check to see if the Floating Cable has adequate length to reach all sides of the pool and is not tangled, or hooked, as this will limit the movement of the cleaner.

## Does not reverse direction

- Take a garden hose with high pressure, spray into the Valve Housing at each Valve Port opening. **Fig. 2.9** This should free the Jet Valve System of any debris. If this does not solve the problem, there is most likely debris wrapped around the Propeller beneath the Jet Valve or between the Valve Flap and the Valve Housing wall, proceed below to "Cleaning The Propeller".

## Cleaning The Propeller

- Remove valve outlet (2 horizontal screws). **Fig. 2.8**
- Bend a common "giant" paper clip into a hook as shown in **Fig. 16** and push the center flap of the Valve Housing with your finger to open it and look into the Propeller. You may find debris like hair, string, or a small twig caught in the Propeller. Use your paper clip to hook or free the debris, and remove it as shown in. **Fig. 18**

## Reverses before reaching the opposite end of the pool

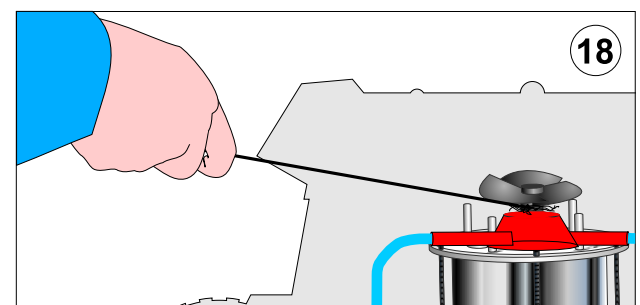
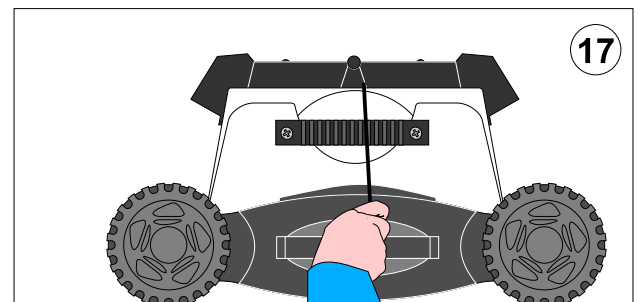
- Turn the Time Control Dial (located on the Power Supply) clockwise a few degrees to increase the time between reversals. Repeat if necessary.
- Check to see if the Filter Bag is thoroughly clean and installed properly.

## Waits too long at the side of the pool before reversing

- Turn the Time Control Dial on the Power Supply counter-clockwise a few degrees. Repeat if necessary.

## Floating cable is twisting

- Your new pool cleaner was designed to clean most pools without issue, but some pool shapes may cause the Floating Cable to coil, or tangle. This cleaner operates in a systematic cleaning pattern that varies in nature. This may cause the Floating Cable to twist. For this reason we have added a new feature to your cleaner. This patented feature will allow you to untwist your Cable easily. Disconnect the Power Supply Cord from the Power Supply, place your cleaner on the ground outside of the pool perpendicular to you. **Fig. 17** At the end of the Power Cable, located near the connection plug to the Power Supply, is a plastic handle. **Fig. 15** Grab the handle firmly as shown in the illustration below. Walk away from the cleaner while pulling the handle. This will cause the Cable to rotate within the plastic handle and force the Cable to untwist itself. For best results remember to pull the handle until the Cable is completely untwisted.



# Warranty Statement

## Very Important!

Please read the following warranty statement carefully before taking any actions pertaining to repairs, servicing and especially returns.

AquaJet Inc. or its authorized agents will not accept any cleaners from any sender without proper authorization codes and procedures being placed into effect. If you proceed without fully reading this statement, you may be placing your warranty in danger of becoming voided.

### Servicing

On a Yearly/Seasonal basis we recommend that you have your cleaner inspected by an authorized service center. This will help ensure that your cleaner will continue to provide you with years of trouble free operation. Contact the AquaJet Service Department toll-free at 1-800-845-4856 or via e-mail at [CustomerService@AquaJet.us](mailto:CustomerService@AquaJet.us) In order to service your unit properly, please contact the AquaJet Service Department to receive a Return Authorization number. Your cleaner cannot be serviced without a Return Authorization number. This Return Authorization number is required to be posted on all sides of the shipping packaging for easy visibility and recording upon its arrival at the service facility. Cleaners sent without a prior approved Return Authorization number will be refused by the service facility's shipping and receiving department.

### Warranty

This automatic pool cleaner has been manufactured, tested and inspected in accordance with carefully specified engineering requirements. AquaJet Inc. warrants that your automatic pool cleaner is free from defects in workmanship and materials under normal use and service, subject to qualifications, conditions and limitations as described below.

**Duration of Limited Warranty:** Three year prorated from original date of purchase. Subject to the warranty conditions below, during the thirty-six months from original date of purchase, AquaJet shall make any necessary repairs, including parts and labor without charge, except for transportation costs, which shall be paid by purchaser. Our three year prorated warranty will cover up to three hundred cleaning cycles or 100% of parts and labor the first year, 50% parts and labor the second year, 25% parts and labor the third year, whichever comes first.

**PARTS NOT COVERED BY WARRANTY:** The Filter Bags, axles and wheels require replacement in the ordinary course of use due to normal wear. Therefore, these parts are not covered by this warranty.

**TO WHOM EXTENDED:** This warranty extends to the first consumer purchaser only for the specified period from the date of the original purchase.

**PREVENTATIVE MAINTENANCE:** Your cleaner requires a minimum amount of preventative maintenance as outlined in your operation manual. Failure to observe this will void the warranty.

**IMPROPER USE:** This warranty covers only normal use for

private residential pools with 115V outlets and is not intended for commercial use. Damage, defects malfunctions or other failures arising from its use without the original transformer, or any use which does not comply with the instructions in the Operator's Manual, are excluded.

**UNAUTHORIZED REPAIR:** Damage, defects, malfunctions or other failure caused by repair, done by anyone other than an authorized service representative of AquaJet, shall not be covered.

**LEGAL LIMITATIONS:** No agent, representative, dealer or employee of AquaJet has the authority to increase or alter the obligations of this warranty.

**TO VALIDATE THIS WARRANTY:** The enclosed warranty registration card must be mailed within ten (10) days of purchase accompanied with a copy of the original proof of purchase or sales slip. No warranty service will be performed unless AquaJet has received the warranty registration card.

**NOTE:** This limited warranty is in lieu of all other express warranties, obligations or liabilities.

ANY IMPLIED WARRANTIES, OBLIGATIONS OR UTILITIES, INCLUDING BUT NOT LIMITED TO ANY IMPLIED WARRANTY OF MERCHANTABILITY, SHALL BE UNLIMITED IN DURATION TO THE PERIOD OF TIME OF THIS WRITTEN UNLIMITED WARRANTY. ANY ACTION FOR BREACH OF ANY WARRANTY HEREUNDER, INCLUDING BUT NOT LIMITED TO ANY IMPLIED WARRANTY OF MERCHANTABILITY, MUST BE BROUGHT WITHIN A PERIOD OF TWELVE (12) MONTHS FROM DATE OF ORIGINAL PURCHASE.

IN NO CASE SHALL AQUAJET OR ITS AUTHORIZED AGENTS BE LIABLE FOR ANY CONSEQUENTIAL DAMAGES FOR BREACH OF THIS OR ANY OTHER WARRANTY, EXPRESSED OR IMPLIED, WHATSOEVER.

Some states do not allow the exclusion or limitations of incidental or consequential damages, so the above exclusion may not apply to you.

This warranty gives you specific legal rights and you may also have other rights, which vary from state to state.

### **WARRANTY SERVICE**

To obtain warranty service, contact your nearest authorized dealer or call the AquaJet Service Department at 1-800-845-4856 to arrange warranty repair work. You may also e-mail us at [CustomerService@AquaJet.us](mailto:CustomerService@AquaJet.us)

### **RISK OF ELECTRIC SHOCK-DO NOT OPEN**

**CAUTION: TO REDUCE THE RISK OF ELECTRIC SHOCK, DO NOT REMOVE SCREWS. NO USER-SERVICEABLE PARTS INSIDE. REFER SERVICING TO QUALIFIED SERVICE PERSONNEL.**

**WARNING: Improper connection of the polarized 3-prong grounding type outlet can result in a risk of electric shock. Check with a qualified electrician or service person if you are in doubt as to whether the outlet is properly grounded. Do not modify the plug provided with the cleaner if it will not fit the outlet. Have a proper grounded outlet installed by a qualified electrician.**

**To protect your home's electrical system and cleaner, a Ground Fault Current Interrupter (GFCI) should be installed.**